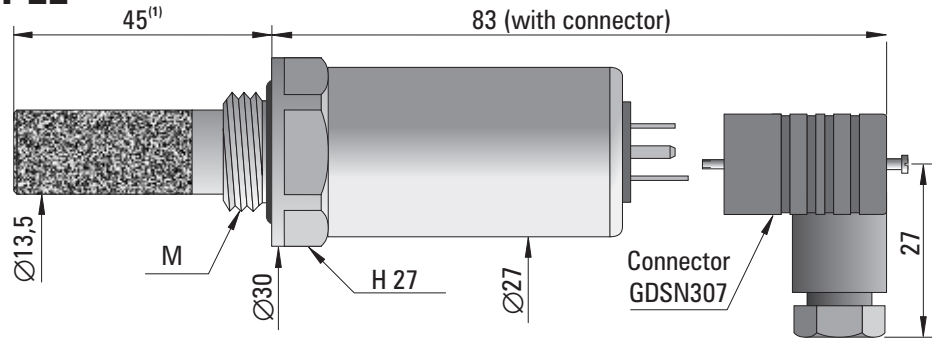


HUMIDITY SENSOR WITH TRANSMITTER

type HTT-21, type HTT-22

Type	M
HTT-21	5/8-18 UNF
HTT-22	G1/2"



TECHNICAL DATA

Sensor

Application	measurement of temperature and relative humidity of gas, such as air in tanks and pipelines.
Measuring range	process connection with male thread -40°C...+80°C ⁽¹⁾ , 0...100%RH
Filter material	5 µm sintered acid-resistant steel
Housing material	stainless steel 1.4305
Weight	approx. 150 g
Maximal gas pressure	3MPa
Operating temperature	-40°C...+60°C

Transmitter

Processing ranges:	
temperature	programmable, max. -40°C ... +120°C (upper-lower value ≥ 10°C)
relative humidity	programmable, max. 0% ... 100% (upper-lower value ≥ 10%)
dew point temperature	programmable, max. -40°Cdp ... 80°Cdp (upper-lower value ≥ 10°Cdp)

Dew point is calculated based on relative humidity and temperature

Temperature processing error	max. 0,5°C for 0°C ≤ T ≤ 60°C and up to 1,5°C beyond this range
Humidity processing error	max. 3% for 20% ≤ RH ≤ 80% and up to 5% beyond this range
Output signals	2 x 4-20 mA (common plus supply)
Power supply	8 ... 36 V DC / 50 mA (via current loop of humidity signal output)
Accessories (ordered separately):	DPT-IF2013U - programming interface, includes 1 cable with GDSN307 connector DPT-SB - sampling block with two 1/8NPT threaded holes

⁽¹⁾ Product can be made with a spacer tube of any length. Suitable length allows measurements of temperatures up to 120°C

ORDERING CODE

(1) (2) (3) (4) (5) (6)

HTT — / / / / /

- | | | |
|-----|-----------------------------------------------|----------------------------------------------|
| (1) | Process connection | 5/8-18 UNF (21) , G1/2" (22) |
| (2) | Lower end of the temperature processing range | value in [°C], <u>default -40</u> |
| (3) | Upper end of the temperature processing range | value in [°C], <u>default +80</u> |
| (4) | Lower end of the humidity processing range | value in [%RH] or [°Cdp], <u>default 0</u> |
| (5) | Upper end of the humidity processing range | value in [%RH] or [°Cdp], <u>default 100</u> |
| (6) | Humidity unit | %RH or °Cdp , <u>default %RH</u> |

Ordering example: **HTT-21** denotes sensor with a 5/8-18 UNF thread, temperature and humidity transmitter with ranges: 40...+80°C, 0...100%RH for 4-20mA current signals
HTT-22/-20/50/-30/40/°Cdp denotes sensor with a G1/2" thread, temperature and humidity transmitter with ranges: -20...+50°C i -30...40°Cdp for 4-20mA current signals