

ACCESSORIES FOR: DPT-21, HTT-21

PROCESS CONNECTION ADAPTER type DPT-G1/2"

The process connection adapter is used to install the DPT-21 or HTT-21 transducer in a hole with a G1/2" thread⁽¹⁾.

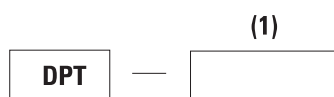
Provides tightness at pressures up to 40 MPa.

Body material: stainless steel 1.4541

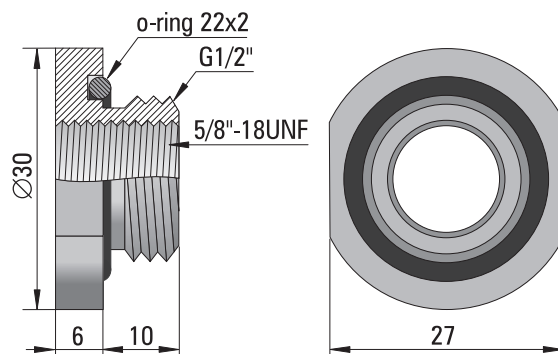
Gasket material: fluorocarbon rubber FKM (Viton)

⁽¹⁾ Other threads inch and metric on demand

ORDERING CODE



(1) thread type



Example for order: DPT-G1/2" means process connection adapter G1/2".

SAMPLING BLOCK type DPT-SB

The sampling block (measuring chamber) allows to supply the measured gas to the DPT-21 or HTT-21 transducer.

Provides tightness at pressures up to 40MPa.

Connections: 1/8" NPT⁽¹⁾

Material: stainless steel 1.4541

On request, the block can be equipped with connectors allowing connection with a 6 or 3 mm pipe, steel, copper or PTFE.

⁽¹⁾ Other threads inch and metric on demand

ORDERING CODE

DPT-SB

SAMPLING BLOCK BRACKET type DPT-BR

The bracket is used to attach the DPT-SB sampling block (together with the DPT-21 or HTT-21 transducer) at the place of measurement.

Material: stainless steel 1.4541

ORDERING CODE

DPT-BR

