

## TEMPERATURE SENSOR

### type 431, 432, 433, 434, 435, 436, 437, 438

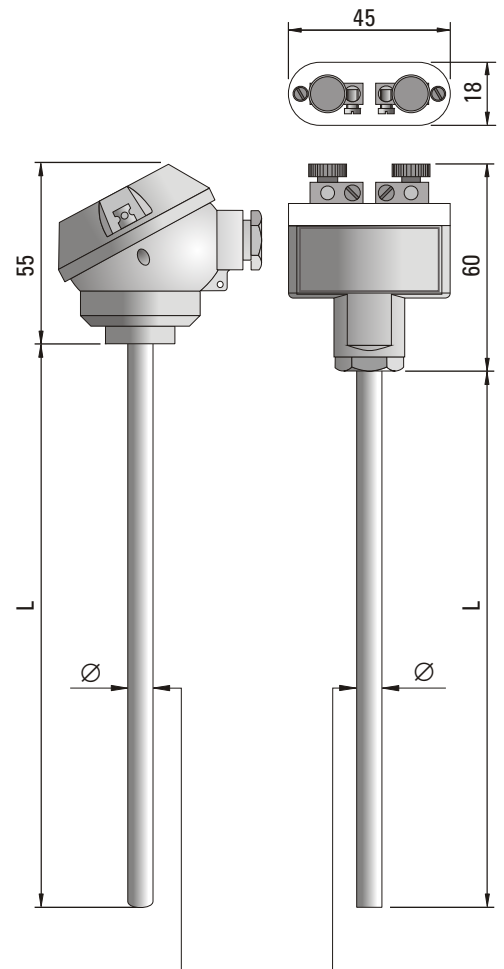
#### SPECIFICATION

Temperature range	-40°C...+800°C	(J)
	-40°C...+1100°C	(K)
	-40°C...+1250°C	(N)
Sheathed thermocouple	Fe-CuNi	(J)
	NiCr-NiAl	(K)
	NiCrSi-NiSi	(N)
Measuring junction	grounded	(type a)
	insulated	(type b)
	Exposed	(type c)
Class of thermocouple	1	
Sheath material	Inconel (J, K), Microbell (N)	
Connection head type	MA or B <sup>(4)</sup> , oval opened	
Head operating temperature	-40°C...+100°C	
Additional accessories	compression gland type <b>KP</b> compensation cable temperature transmitter	

<sup>(1)</sup> Thermocouples of outer diameter  $\varnothing = 1, 1,5$  or 2 mm on demand

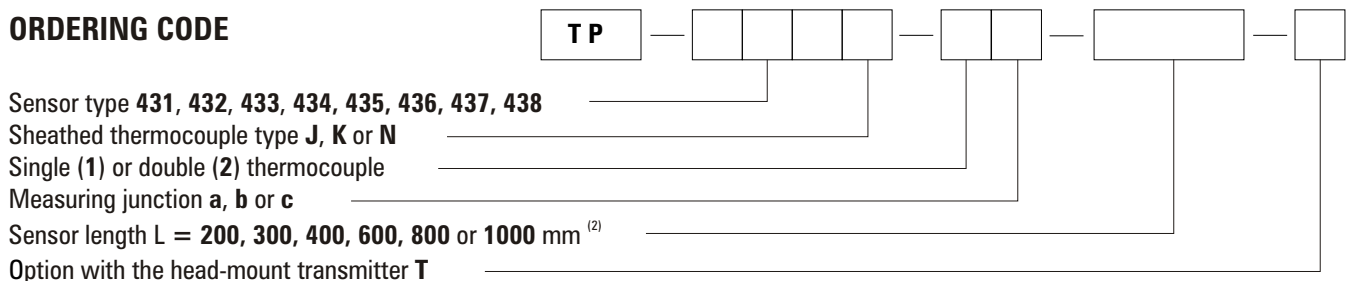
<sup>(2)</sup> Other parameters according to customer requirements

<sup>(3)</sup> Connection head with protection class IP65 or acid resistant on demand



Type	$\varnothing$ (mm) <sup>(1)</sup>	Type
<b>TP-431</b>	3	<b>TP-435</b>
<b>TP-432</b>	4,5	<b>TP-436</b>
<b>TP-433</b>	6	<b>TP-437</b>
<b>TP-434</b>	8	<b>TP-438</b>

#### ORDERING CODE



Sensor type **431, 432, 433, 434, 435, 436, 437, 438**

Sheathed thermocouple type **J, K** or **N**

Single **(1)** or double **(2)** thermocouple

Measuring junction **a, b** or **c**

Sensor length  $L = 200, 300, 400, 600, 800$  or  $1000$  mm<sup>(2)</sup>

Option with the head-mount transmitter **T**

#### Example for order:

TP-431K-1b-200 sensor with connection head type MA, with single sheathed thermocouple NiCr-NiAl (K) of outer diameter  $\varnothing = 3$ mm, measuring junction galvanically insulated from sheath (type b), length  $L=200$ mm.

TP-431K-1b-200-T; TCH-2140-K sensor with connection head type B, option with the head-mount transmitter type TCH-2140-K.